

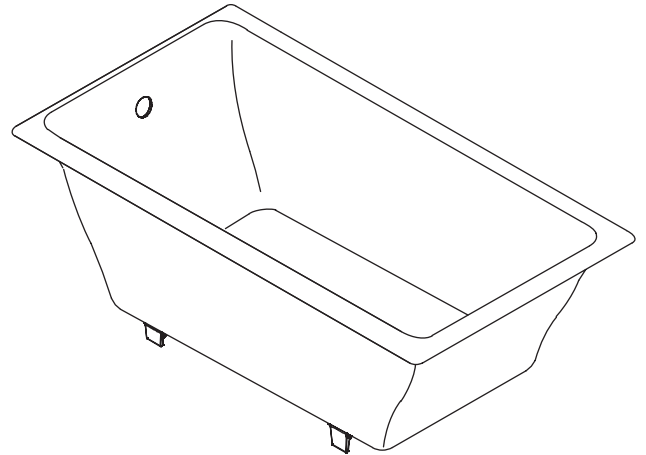
Features

- Cast iron with Safeguard® finish
- Drop-in installation (K-804)
- Undermount installation with integral tile flange (K-804-L, K-804-R)
- Available with left (-L) or right (-R) drain hole
- 66" (167.6 cm) x 36" (91.4 cm) x 24" (61 cm)

Codes/Standards Applicable

Specified model meets or exceeds the following:

- ASME A112.19.1M
- ASME A112.19.7M
- ICC/ANSI A117.1
- IAPMO/UPC



Colors/Finishes

- 0: White
- Other: Refer to Price Book for additional colors/finishes

Accessories:

- CP: Polished Chrome
- PB: Polished Brass
- Other: Refer to Price Book for additional colors/finishes
- NA: None applicable

Specified Model

Model	Description	Colors/Finishes	
K-804	Drop-in bath	<input type="checkbox"/> 0	<input type="checkbox"/> Other_____
K-804-L	Undermount bath with drain hole at left	<input type="checkbox"/> 0	<input type="checkbox"/> Other_____
K-804-R	Undermount bath with drain hole at right	<input type="checkbox"/> 0	<input type="checkbox"/> Other_____

Required Accessory				
K-7145	Drain	<input type="checkbox"/> CP	<input type="checkbox"/> PB	<input type="checkbox"/> Other_____

Optional Accessory				
K-587	Undermount kit for installation			<input type="checkbox"/> NA

Product Specification

The bath shall be 66" (167.6 cm) in length, 36" (91.4 cm) in width, and 24" (61 cm) in height. Bath shall be made of cast iron with Safeguard® finish. Bath shall be available with left (-L) or right (-R) drain hole. Bath shall be available for drop-in installation (K-804) or undermount installation with integral tile flange (K-804-L, K-804-R). Bath shall be Kohler Model K-804-____ or K-804-____-_____.

KATHRYN®

Technical Information

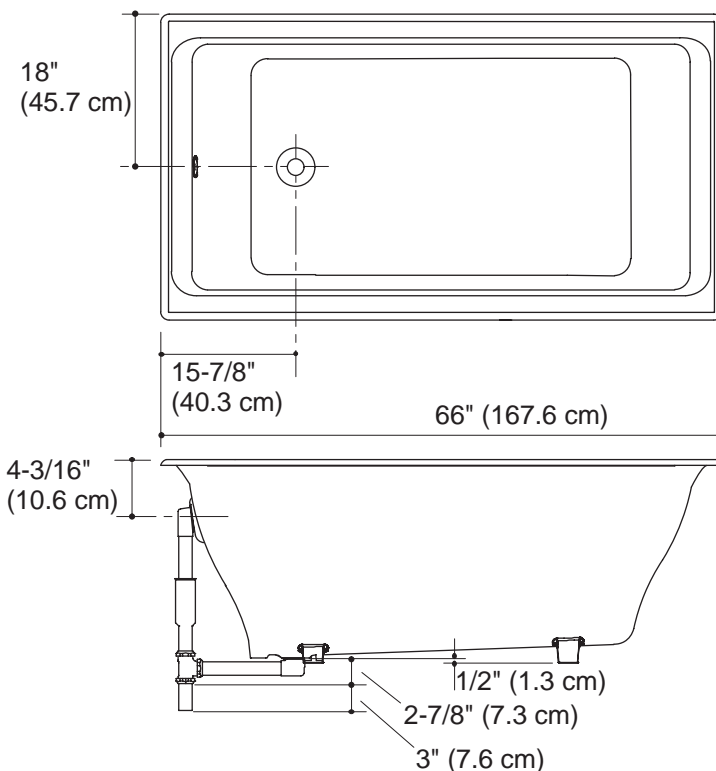
Fixture*:	
Bathing well	
Basin area	45" (114.3 cm) x 25" (63.5 cm)
Top area	58" (147.3 cm) x 29" (73.7 cm)
To overflow	
Water depth	17-3/4" (45.1 cm)
Capacity	97 gal (367.2 L)
Weight	
440 lbs (199.6 kg)	
* Approximate measurements for comparison only.	

Cut-out template:	
Drop-in	64-1/2" (163.8 cm) x 34-1/2" (87.6 cm)
Undermount	K-587

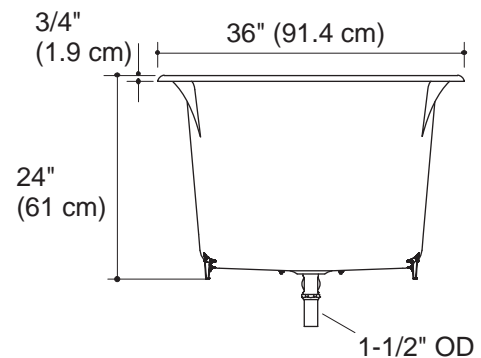
Installation Notes

Install this product according to the installation guide.

Floor support under the bath must provide for a minimum of 1850 lbs (839.2 kg).



No change in measurements if connected with drain illustrated. (K-7145)



Product Diagram