

Product Information

Accessories/hardware:		
P-trap	K-9018	Recommended
Fixture*:	basin area	water depth
Lavatory	17-3/4" (45.1 cm) x 12-3/4" (32.4 cm)	6-7/16" (16.4 cm)
Drain hole	1-5/8" (4.1 cm) D.	
* Approximate measurements for comparison only.		
Included Components:		
Basin clamp assembly	52047	
Cut-out template	1039083-7	

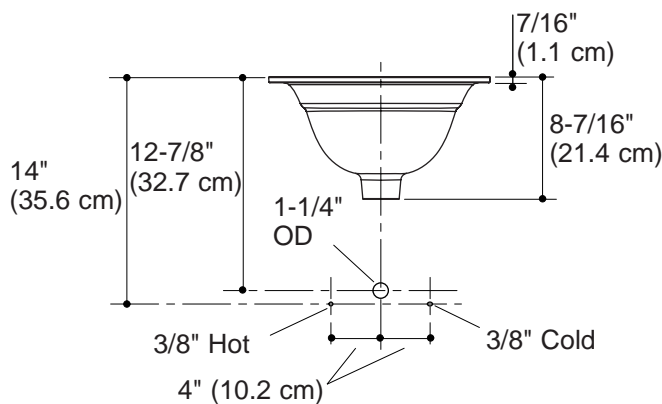
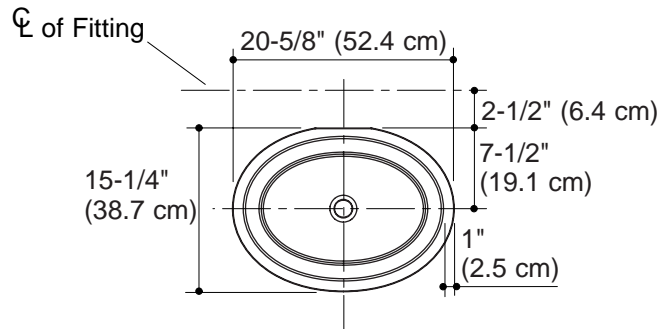
Installation Notes

Install this product according to the installation guide.

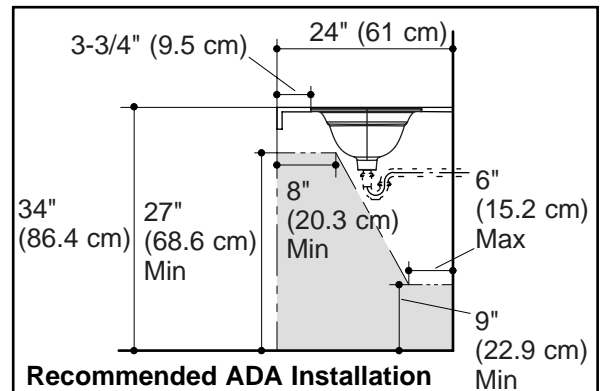
Supplied basin clamp assemblies require 1" (2.5 cm) minimum countertop thickness. Installer must supply anchors for thinner countertops.

Fixture dimensions are nominal and conform to tolerances in ASME Standard A112.19.1.

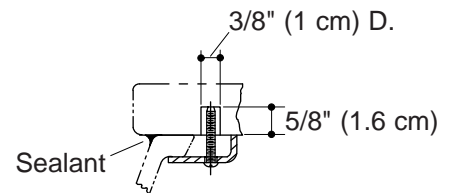
NOTICE: The countertop manufacturer or cutter **must** use the cutout template provided with the product, or a current one provided by the Kohler Co. (call 1-800-4-KOHLER). Kohler Co. is not responsible for cutout errors when the incorrect cutout template is used.



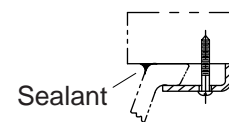
Standard Installation



Recommended ADA Installation



Marble Installation



Wood Installation