

Features

- KOHLER cast iron
- ADA compliant
- Without overflow
- Undercounter
- 20-5/8" (52.4 cm) x 15-1/4" (38.7 cm)

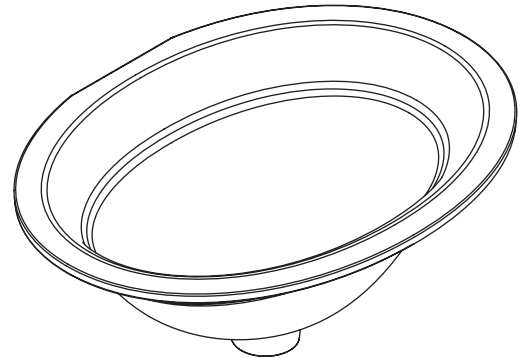
UNDERCOUNTER LAVATORY K-2824

ADA

Codes/Standards Applicable

Specified model meets or exceeds the following:

- ADA
- IAPMO/UPC
- CSA International
- ICC/ANSI A117.1
- ASME A112.19.1M



Colors/Finishes

- 0: White
- Other: Refer to Price Book for additional colors/finishes

Accessories:

- CP: Polished Chrome
- Other: Refer to Price Book for additional colors/finishes

Specified Model

Model	Description	Colors/Finishes	
K-2824	Undercounter lavatory	<input type="checkbox"/> 0 White	<input type="checkbox"/> Other_____
Recommended Accessory			
K-9018	P-trap	<input type="checkbox"/> CP	<input type="checkbox"/> Other_____

Product Specification

The undercounter lavatory shall be 20-5/8" (52.4 cm) in length, and 15-1/4" (38.7 cm) in width. Lavatory shall be made of cast iron. Lavatory shall be ADA compliant. Lavatory will not have an overflow. Lavatory shall be Kohler Model K-2824-_____.

Technical Information

Fixture*:	basin area	water depth
Lavatory	17-3/4" (45.1 cm) x 12-3/4" (32.4 cm)	6-7/16" (16.4 cm)
Drain hole	1-5/8" (4.1 cm) D.	
* Approximate measurements for comparison only.		

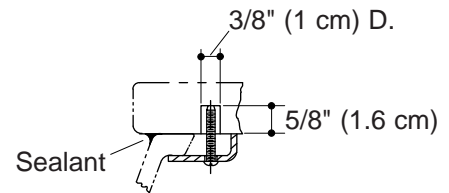
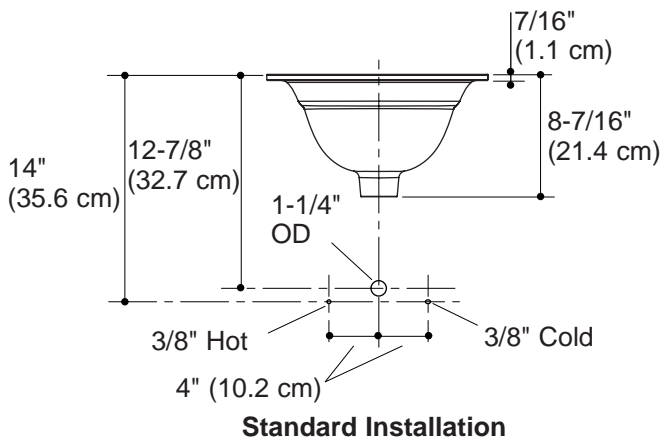
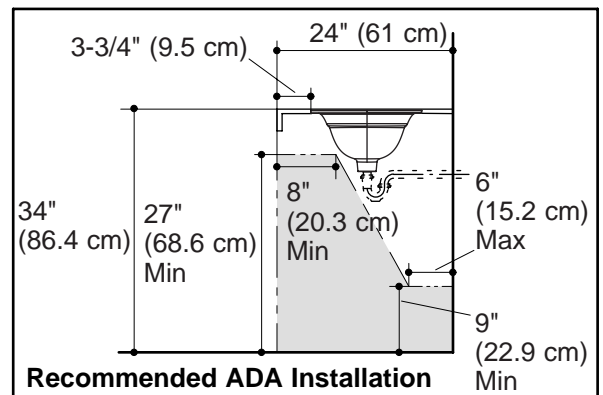
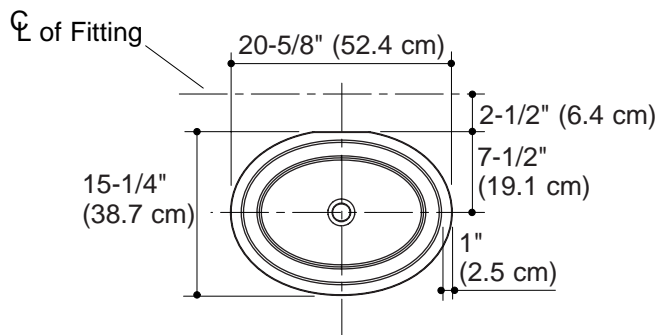
Included Components:	
Basin clamp assembly	52047
Cut-out template	1039083-7

Installation Notes

Install this product according to the installation guide.

Supplied basin clamp assemblies require 1" (2.5 cm) minimum countertop thickness. Installer must supply anchors for thinner countertops.

NOTICE: The countertop manufacturer or cutter **must** use the cutout template provided with the product, or a current one provided by the Kohler Co. (call 1-800-4-KOHLER). Kohler Co. is not responsible for cutout errors when the incorrect cutout template is used.



Marble Installation



Wood Installation

Product Diagram