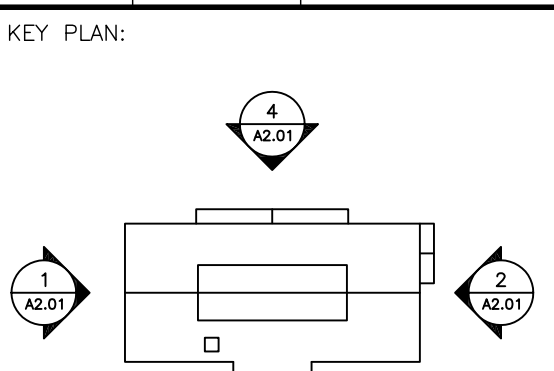


REVISION	DATE	COMMENTS
1	8/31/06	Addendum 1



PROJECT:  
**GREEN WOODLANDS HOUSE/BARN PROJECT**

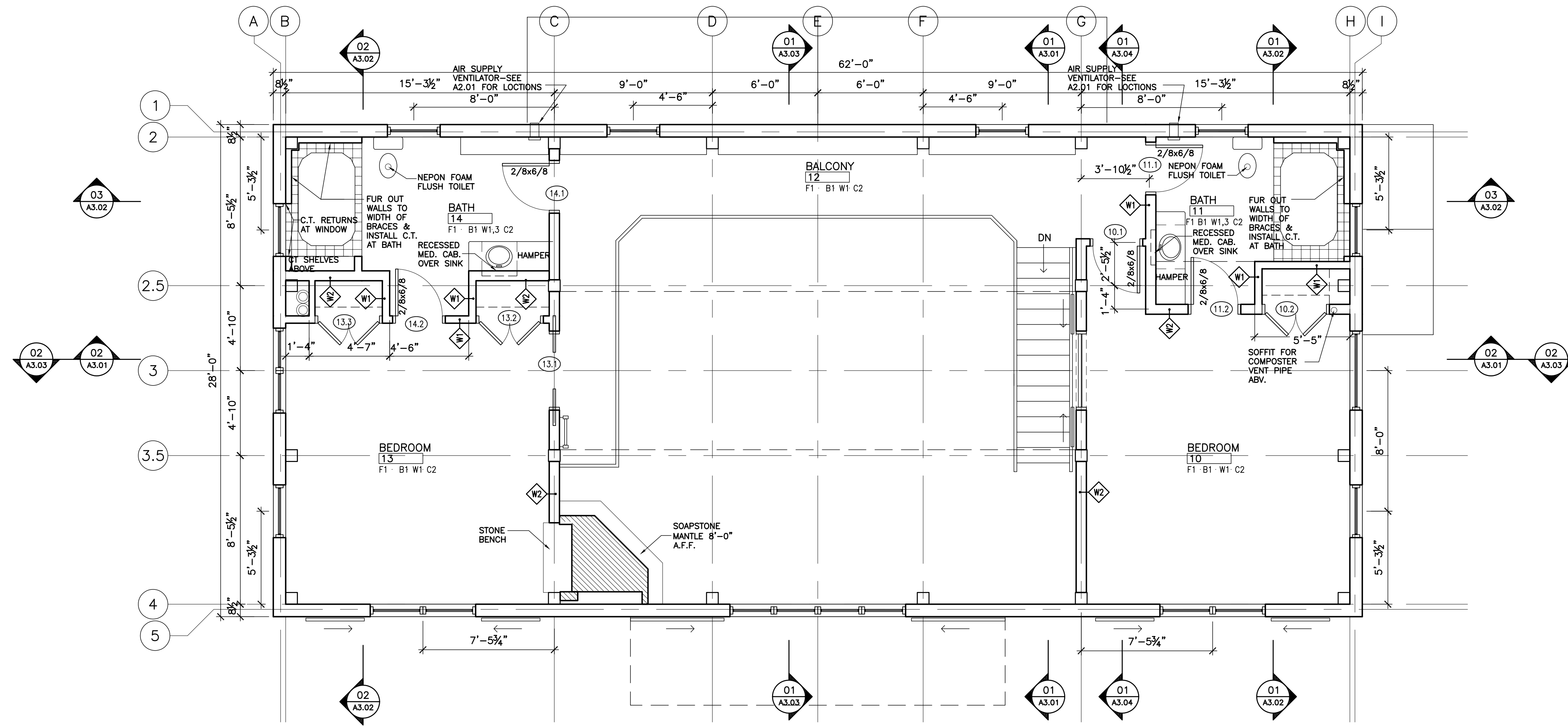
ISSUED:  
**CONSTRUCTION DOCUMENTS**

DRAWING TITLE:  
**FIRST & SECOND FLOOR PLAN, WALL TYPES**

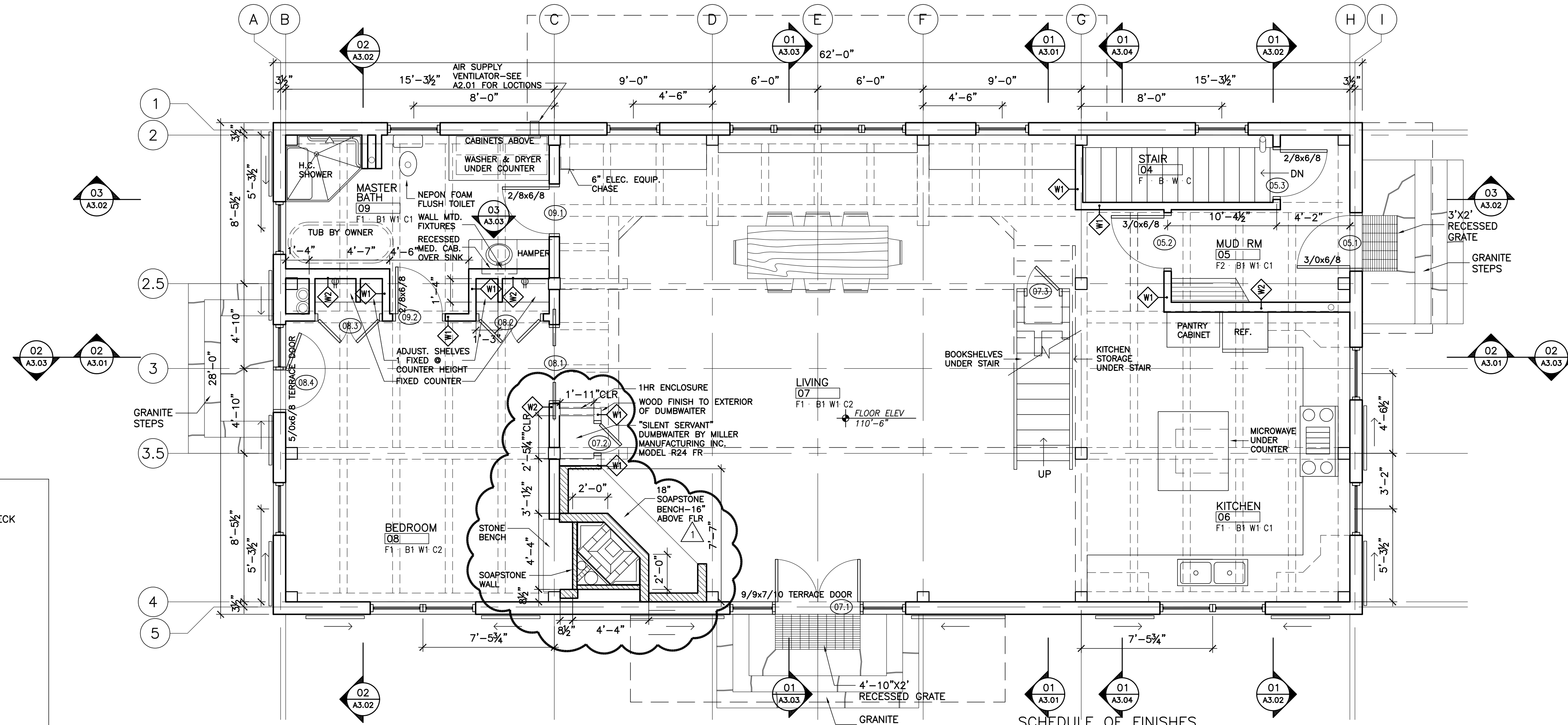
PROJECT NO: 570 DATE: 07/31/06

SHEET NUMBER:

**A1.02**



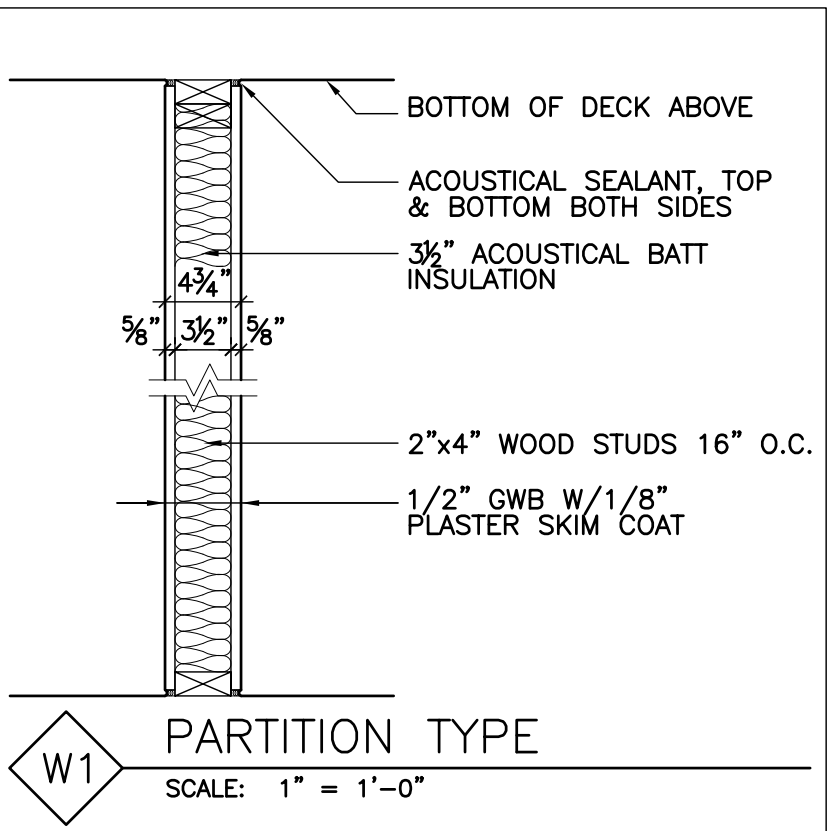
**02 SECOND FLOOR PLAN**  
 SCALE: 1/4"=1'-0"



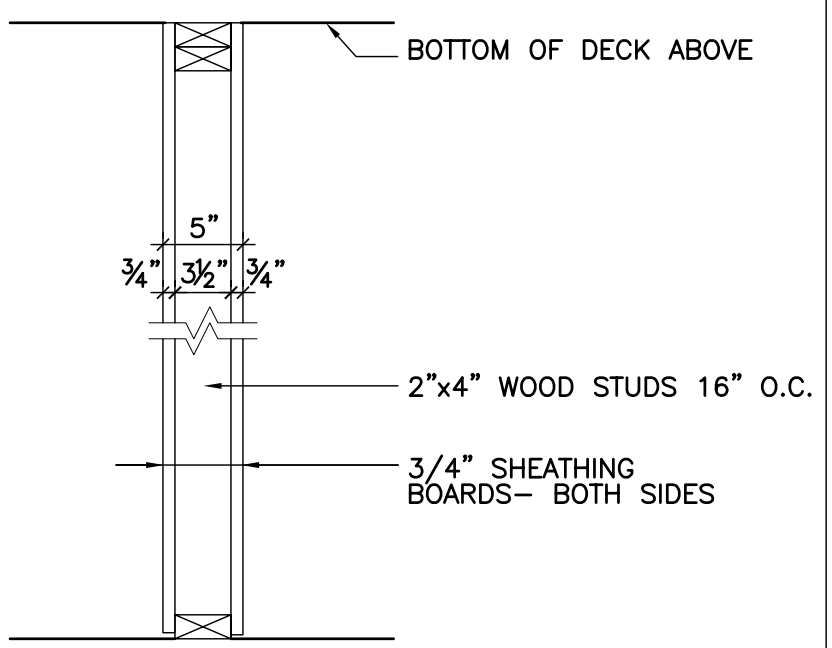
**01 FIRST FLOOR PLAN**  
 SCALE: 1/4"=1'-0"

**SCHEDULE OF FINISHES**

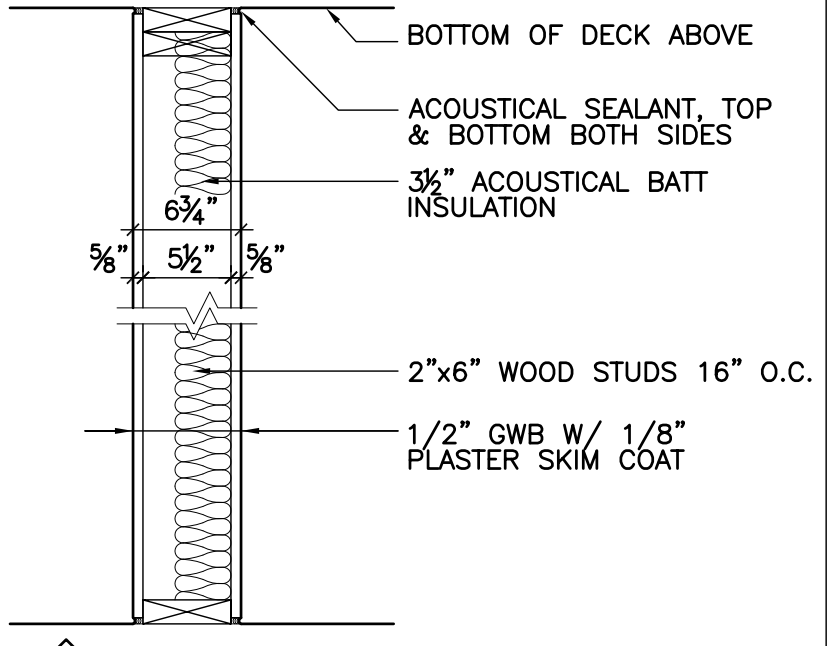
FLOORS	BASE	WALLS	CEILINGS
F1 HARDWOOD	B1 5/4 X 6" WOOD	W1 PLASTER	C1 PLASTER
F2 STONE	B2 NO BASE	W2 WOOD	C2 EXPOSED WOOD DECK
F3 SEALED CONCRETE		W3 CERAMIC TILE	
		W4 NO FINISH	



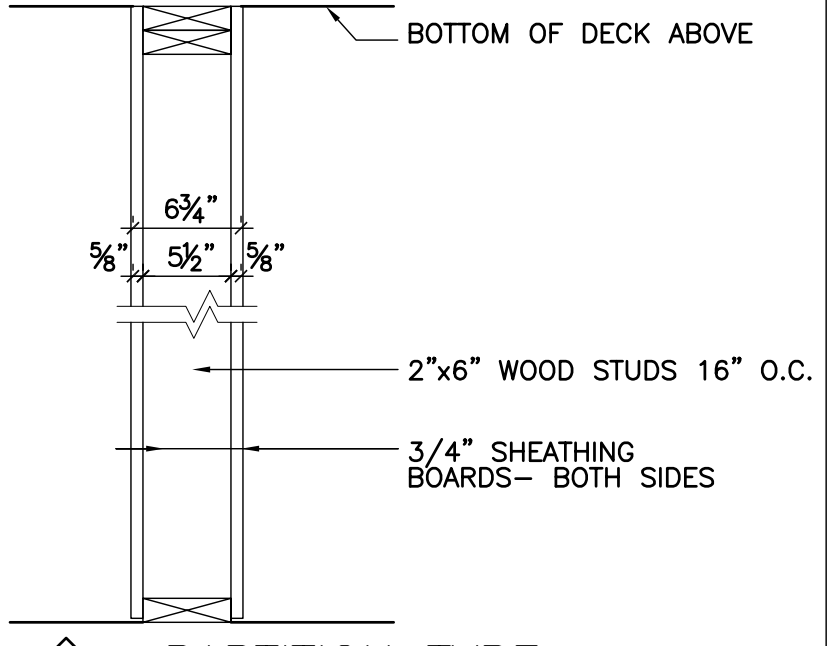
**W1 PARTITION TYPE**  
 SCALE: 1"=1'-0"



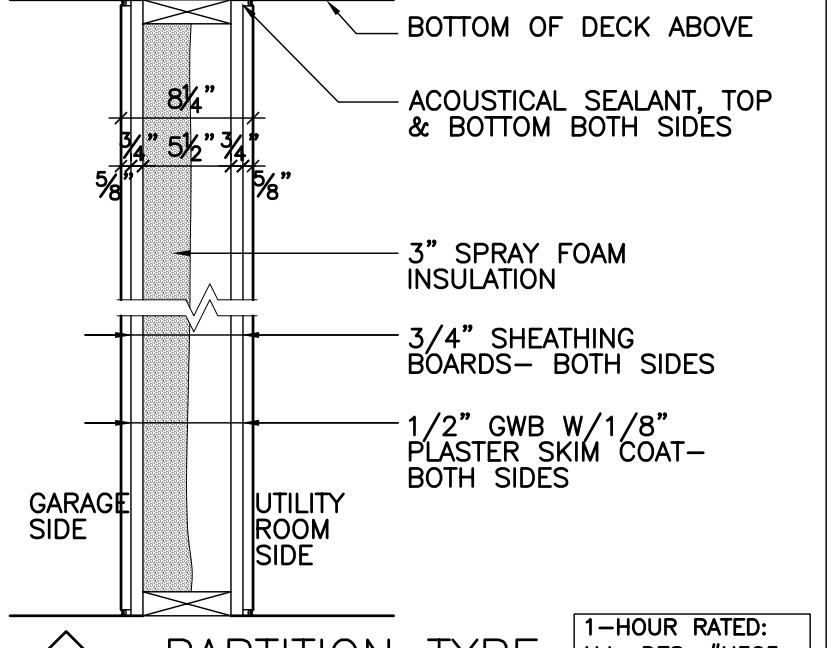
**W1A PARTITION TYPE**  
 SCALE: 1"=1'-0"



**W2 PARTITION TYPE**  
 SCALE: 1"=1'-0"

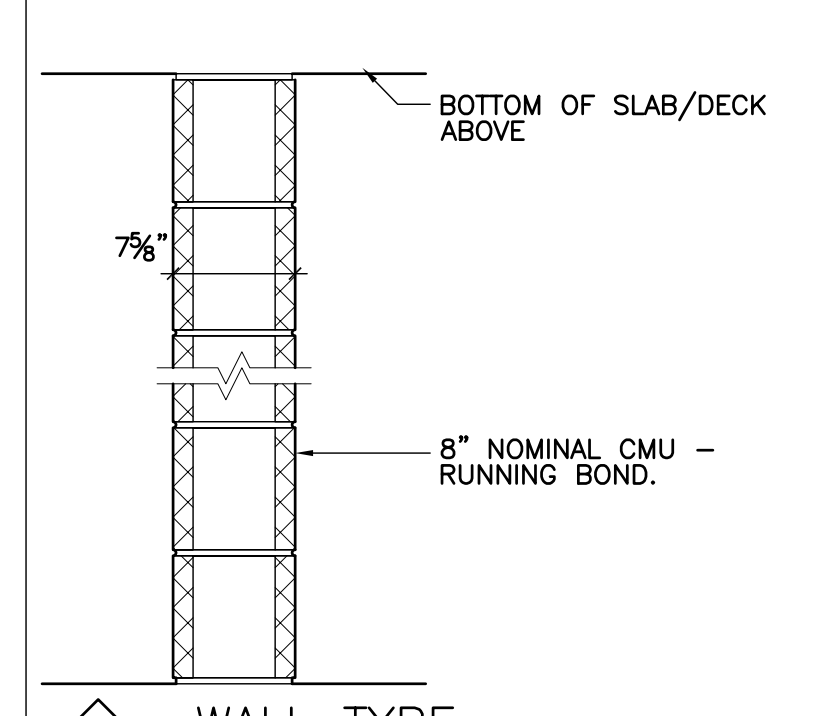


**W2A PARTITION TYPE**  
 SCALE: 1"=1'-0"



**W3 PARTITION TYPE**  
 SCALE: 1"=1'-0"

1-HOUR RATED:  
 U.L. DES. #U305



**M8 WALL TYPE**  
 SCALE: 1"=1'-0"