

Green Woodland Lighting Fixture Plan 9/18/06

Fixture Design and Construction Guidelines

1. Use as much regional product as possible
2. Use 75% re-cycled product
3. Use low environmental impact production processes
4. Use Energy Star rated components whenever possible
5. Follow Energy Star construction guidelines whenever possible
6. Make non recycled components domestically whenever possible.

LEED & ENERGY STAR DESIGNATION

It is the design team objective to make a case for Conant Custom Brass, an Energy Star Partner, to be able to label fluorescent luminaires when they are constructed from 75% recycled product such as schoolhouse historical glass or "original" RLM luminaires. Credit should also be given when the luminaires are fabricated less than 150 miles from the job site. The 75% is a value that I assigned.

KITCHEN

Type "IS" (4) (Budget \$350.00 each)

1. Close fitting ceiling fixtures with custom shade fitter and shallow canopy
2. Dark oxidized brass & wax
3. Dimmable incandescent lamp w/Edison base
4. New prismatic bowl shade
5. Antique green porcelain enamel RLM w/ white interior (cut to suspend from bottom rim of bowl shade)

1400

KITCHEN

Type "JS" (2) (Budget \$250.00 each)

1. Close fitting ceiling fixtures with custom shade fitter and shallow canopy
2. Dark oxidized and waxed solid brass
3. 12" overall drop
4. Custom fitter to accomodate compact GU24 florescent socket
5. Custom 5" copper shade

500

KITCHEN

Type "7" (1) (Budget \$375.00)

1. Close fitting ceiling fixtures with custom shade fitter and shallow canopy

375

2. Dark oxidized and waxed solid brass
3. 24" overall drop
4. Width to be determined
5. Custom fitter to accomodate compact GU24 florescent socket
6. Custom 5" copper shade

STAIRWAY CEILING - 9 Type "LS" ("a" =4 alike, "b"= 3 alike, "c" =2 different) 2750
Type "LS-a" (4) Type "LS-b" (3) (Budget \$250.00 each)

1. Type "LS-b" (3)
2. Vintage ceiling fixture
3. Vintage 8-10" School house globe
4. New GU-24 multiwatt socket
5. UL Dry location

Type "LS-c" (2) (Budget \$200.00 each) 400

1. Caged bell jar fixtures w/
2. Protective rib cages (outside)
3. Domestic construction
4. Frosted jars
5. GU-24 multi-watt sockets
6. UL dry location

STAIRWAY WALLS

Type "MW-a" (6 alike) and Type "MW-b" (one only) (9 TOTAL) 4050
(Budget \$450.00 each)

Vintage Carriage House fixtures Circa 1880

1. Vintage fixture and glass - bottom half frosted to obscure the lamp
2. Florescent GU-24 multi-watt
3. UL Dry location

BATH ROOM-first floor

Type "FW" (2 matching) (Budget \$175.00 each) 350

1. Vintage dimmable incandescent vanity lights to provide variable illumination levels
2. Vintage glass shades
3. UL Damp location

TYPE GS (1) (Budget \$250.00 each)

1. Schoolhouse historical luminaire by Conant Custom Brass. Fluorescent to provide general illumination surface mounted to flat ceiling. 250
2. Vintage components
3. Dark antiqued and waxed solid brass
4. Sloped ceiling (12/8?)
5. Overall drop approx 12"-14"
6. Vintage Globe
7. Diameter 14"-16"
8. UL Damp location

BATHROOMS-second floor

Type "DW" (2 matching) (Budget \$175.00 each)

350

1. Vintage dimmable incandescent vanity lights to provide variable illumination levels
2. UL Damp location

Type "EW" (2 matching) (Budget \$175.00 each)

1. Vintage dimmable incandescent vanity lights to provide variable illumination levels
1. UL Damp location

350

Type HP (2 similar) (Budget \$300.00 each)

Schoolhouse historical luminaire by Conant Custom Brass. Fluorescent to provide general illumination surface mounted to flat ceiling.

600

1. Vintage components
2. Dark antiqued and waxed solid brass
3. Sloped ceiling (12/8?)
4. Overall drop approx 36"
5. Globe Diameter 14"-16"
6. UL Damp location
7. GU24 variable watt sockets

BOOKCASE AREA

Type RP (2) (Budget \$375.00 each)

Hanging pendant with angled shade

750

1. Sloped ceiling
2. Dark antiqued & waxed solid brass
3. GU24 variable watt sockets
4. Vintage angled porc. RLM
5. Special u-joint above fitter

Type QS (4) (Budget \$250.00 each)

Close fitting ceiling fixture

1000

1. custom fitter
2. dark antiqued & waxed solid brass
3. 10" dia. Solid copper shade
4. Raw copper interior and exterior
5. GU24 variable watt sockets

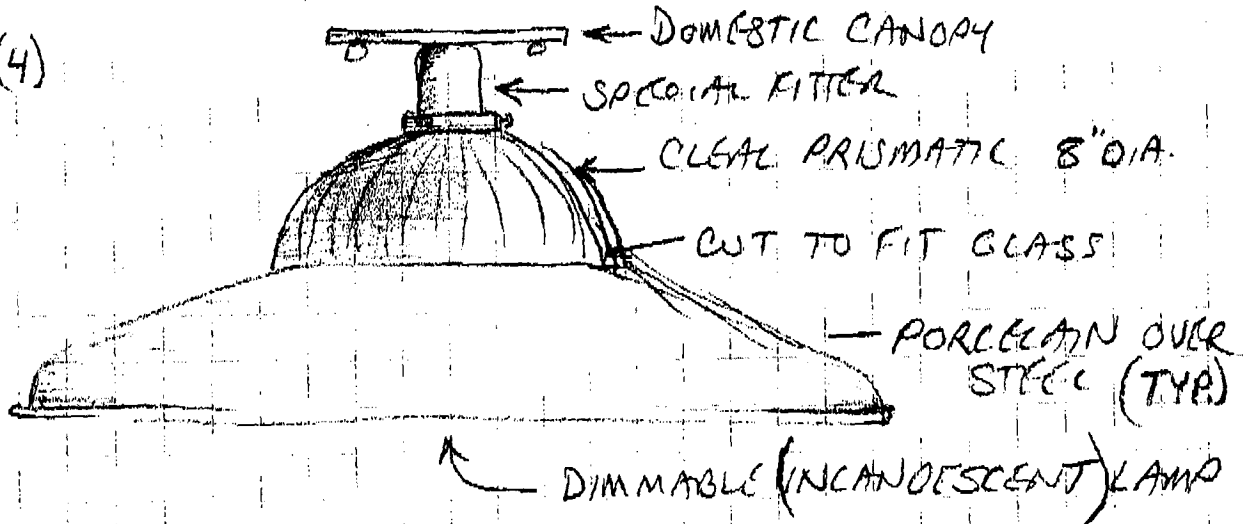
Conant Custom Brass

★ Working Wonders with Metal & Light ★

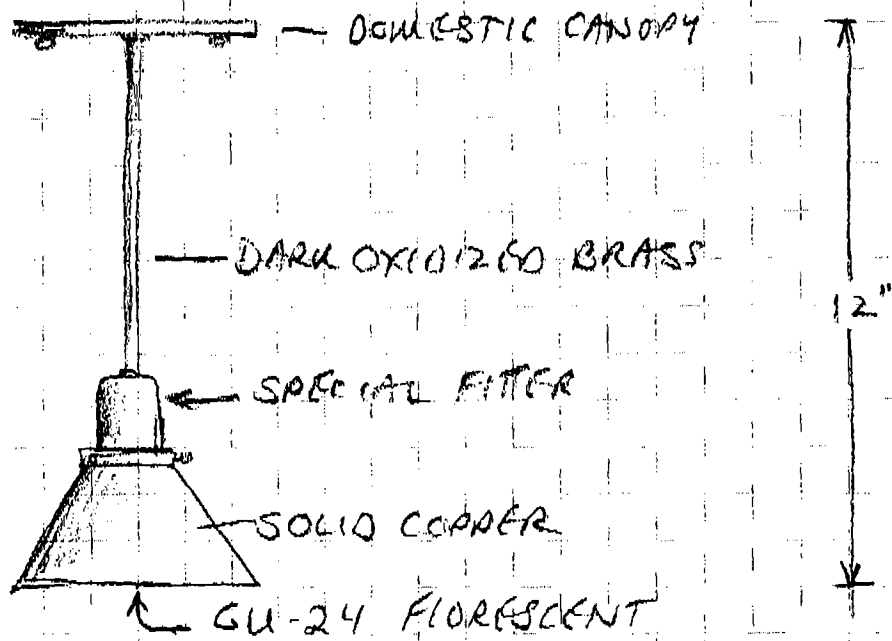
Technician

Project

TYPE IS (4)
KITCHEN



TYPE JS (2)
KITCHEN



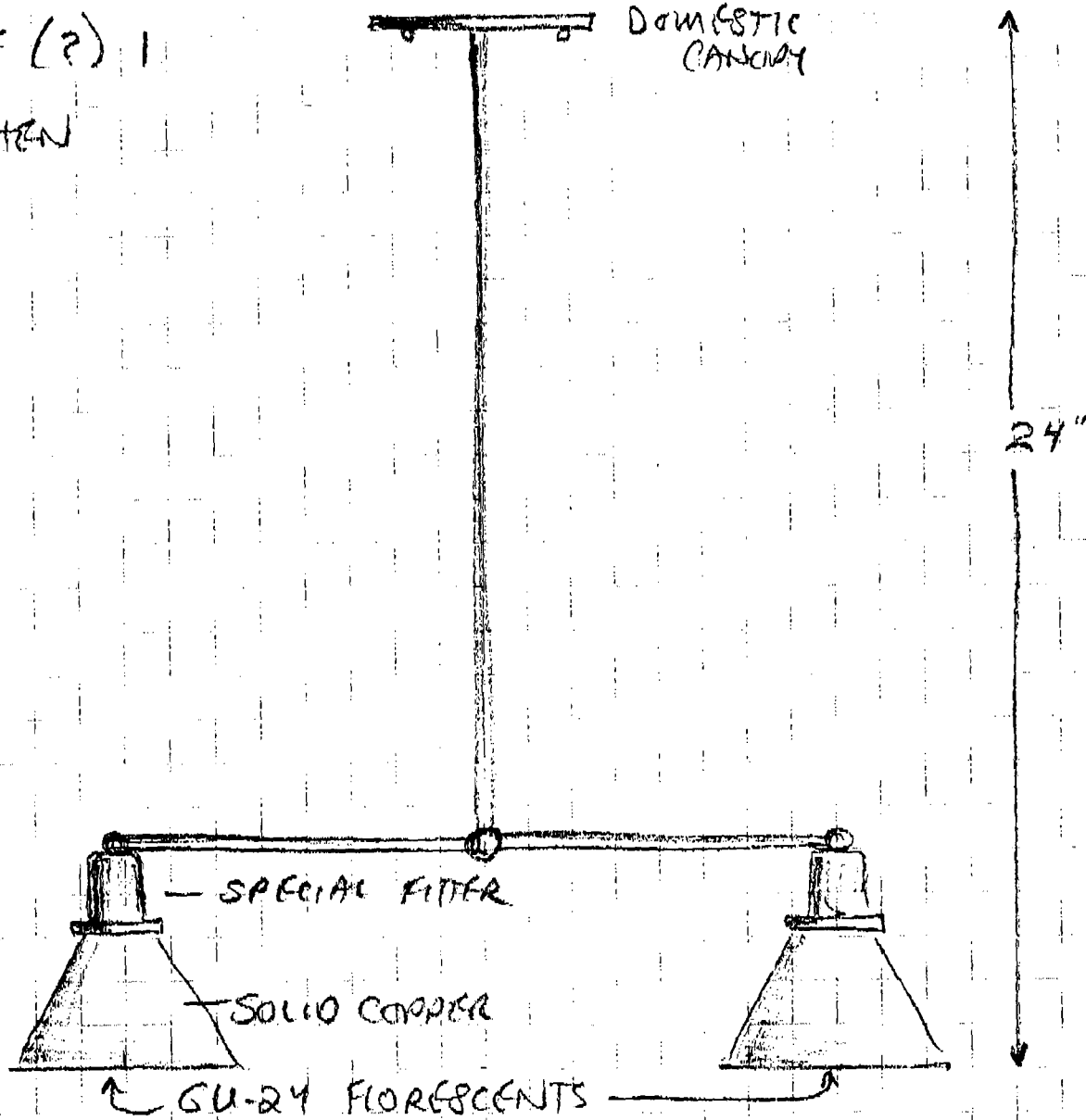
Conant Custom Brass

★ Working Wonders with Metal & Light ★

Golden Wonders

Project

TYPE (?) 1
KITCHEN



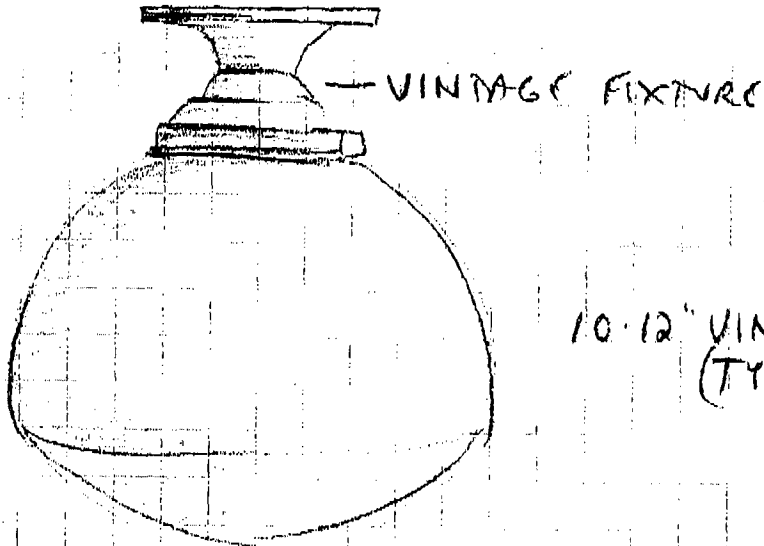
Conant Custom Brass

★ Working Wonders with Metal & Light ★

GREEN WOODLAND

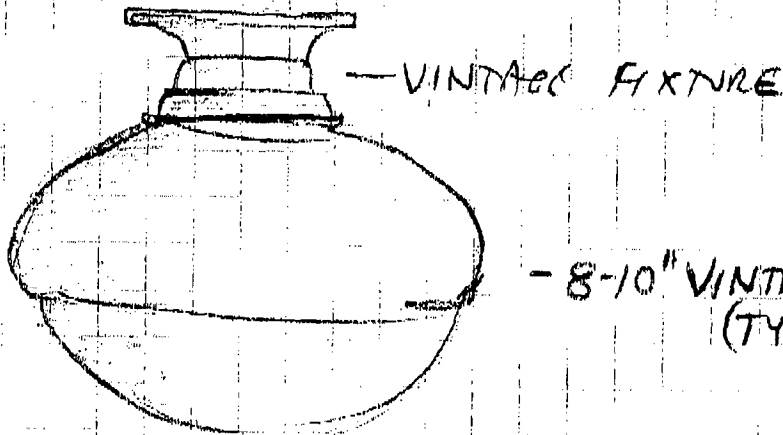
Project

TYPE L S a (4)
STAIRWAY



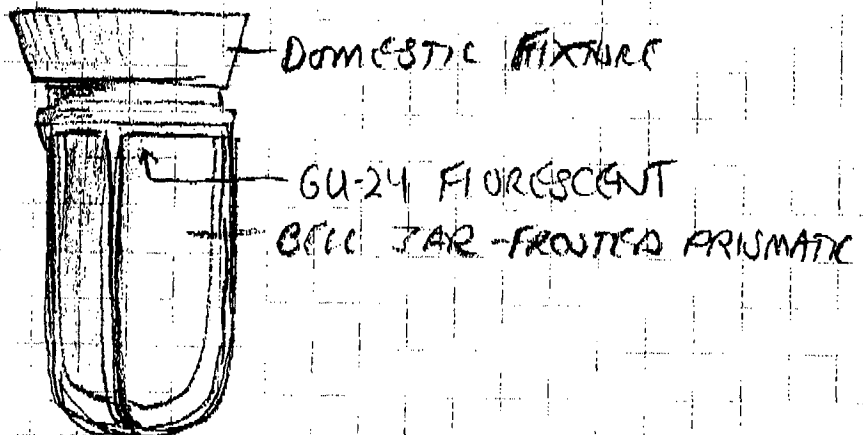
10-12" VINTAGE GLOBE
(TYP.)

TYPE L S b (3)
STAIRWAY



8-10" VINTAGE GLOBE
(TYP.)

TYPE L S c (2)
STAIRWAY



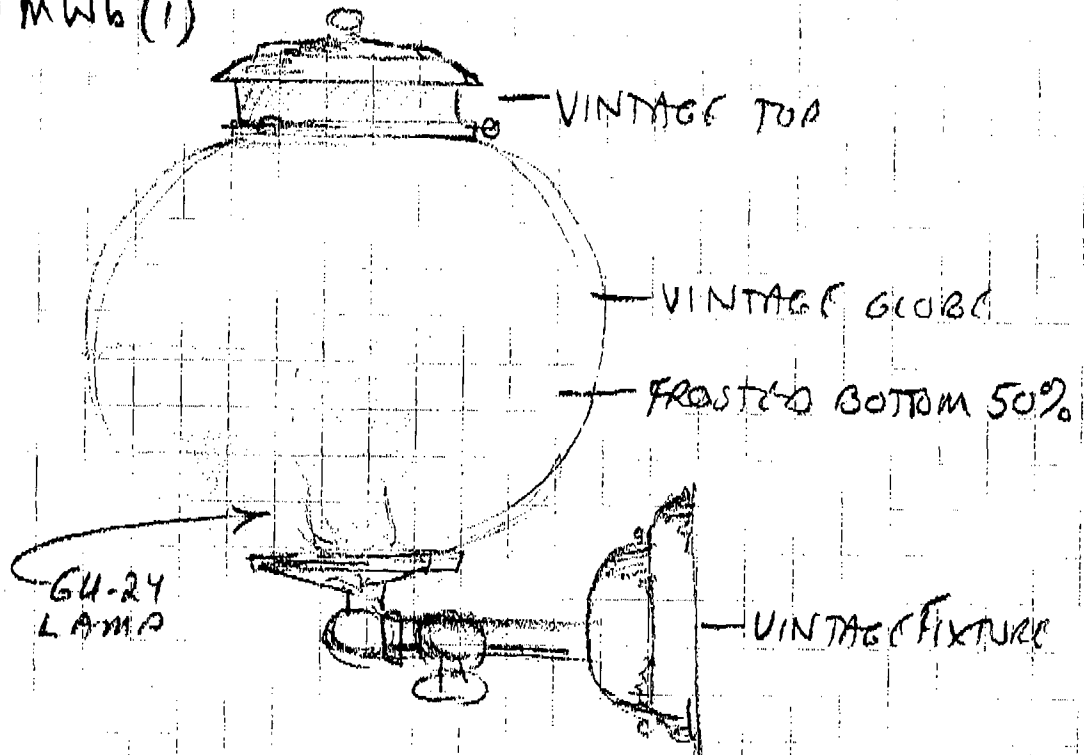
Conant Custom Brass

★ Working Wonders with Metal & Light™ ★

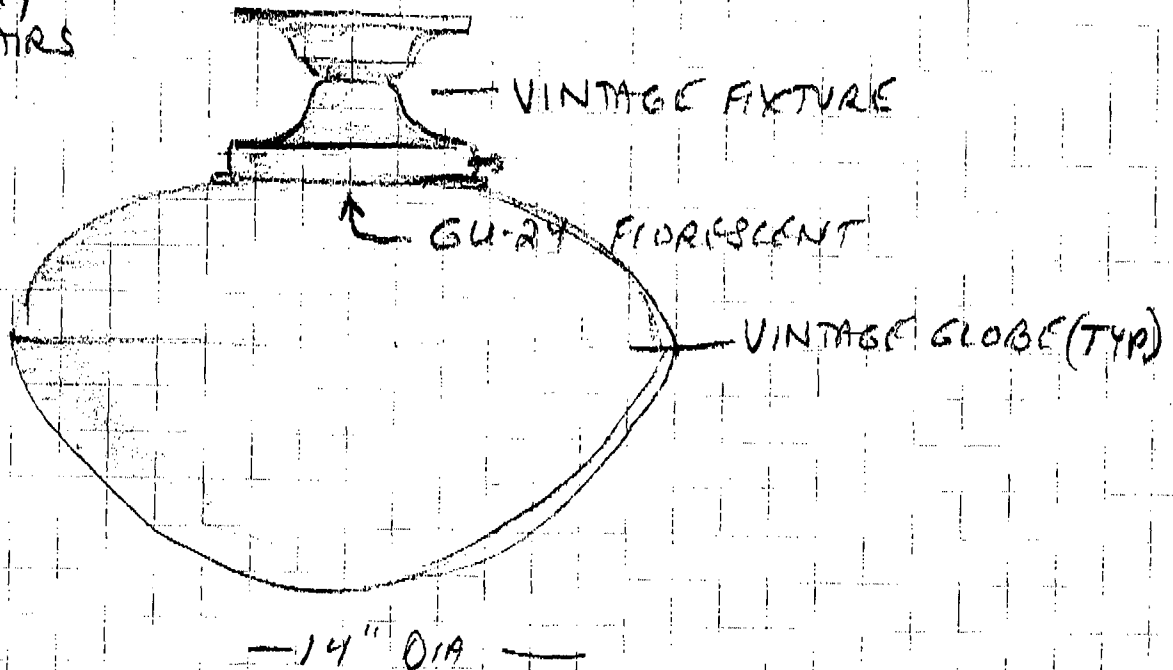
Technician

Project

TYPE MWa (3) MWb (1)
STAIRWAY



TYPE GS (1)
BATH-DOWNSTAIRS



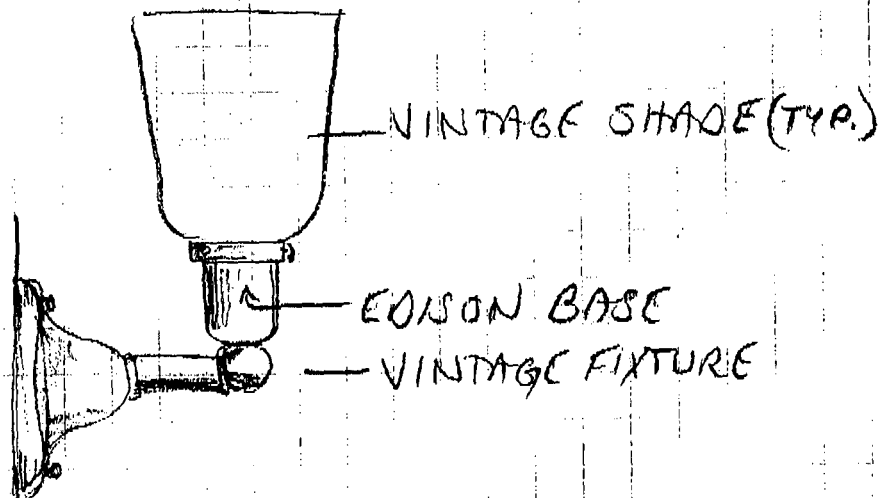
Conant Custom Brass

★ Working Wonders with Metal & Light ★

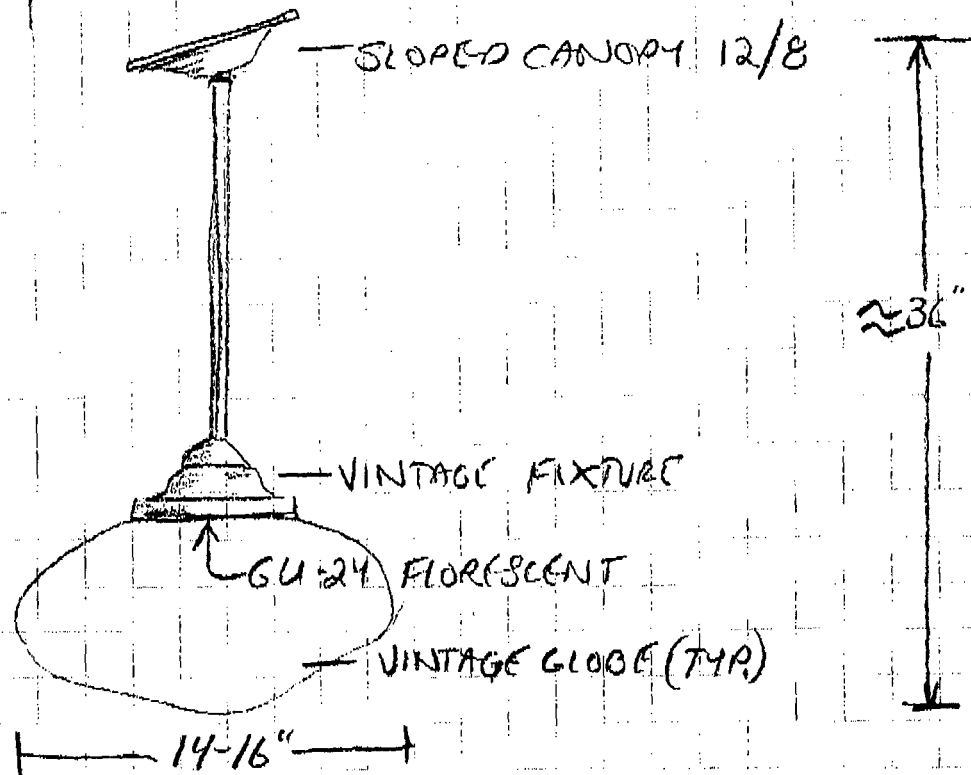
Technician

Project

TYPES: DW(2) EW(2) FW(2)
BATHROOMS



TYPE HP (2)
BATHROOMS



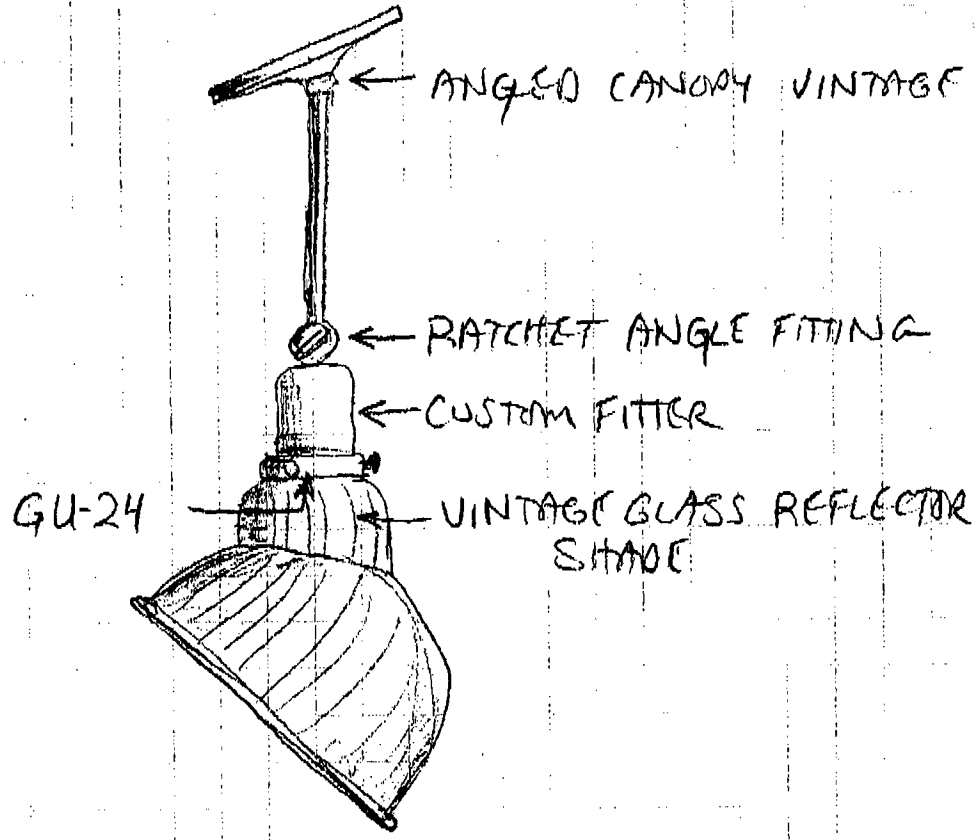
Conant Custom Brass

★ Working Wonders with Metal & Light! ★

Technician

Project

TYPE-RP (2)
BOOKCASES



TYPE-QS (4)
BOOKCASES

