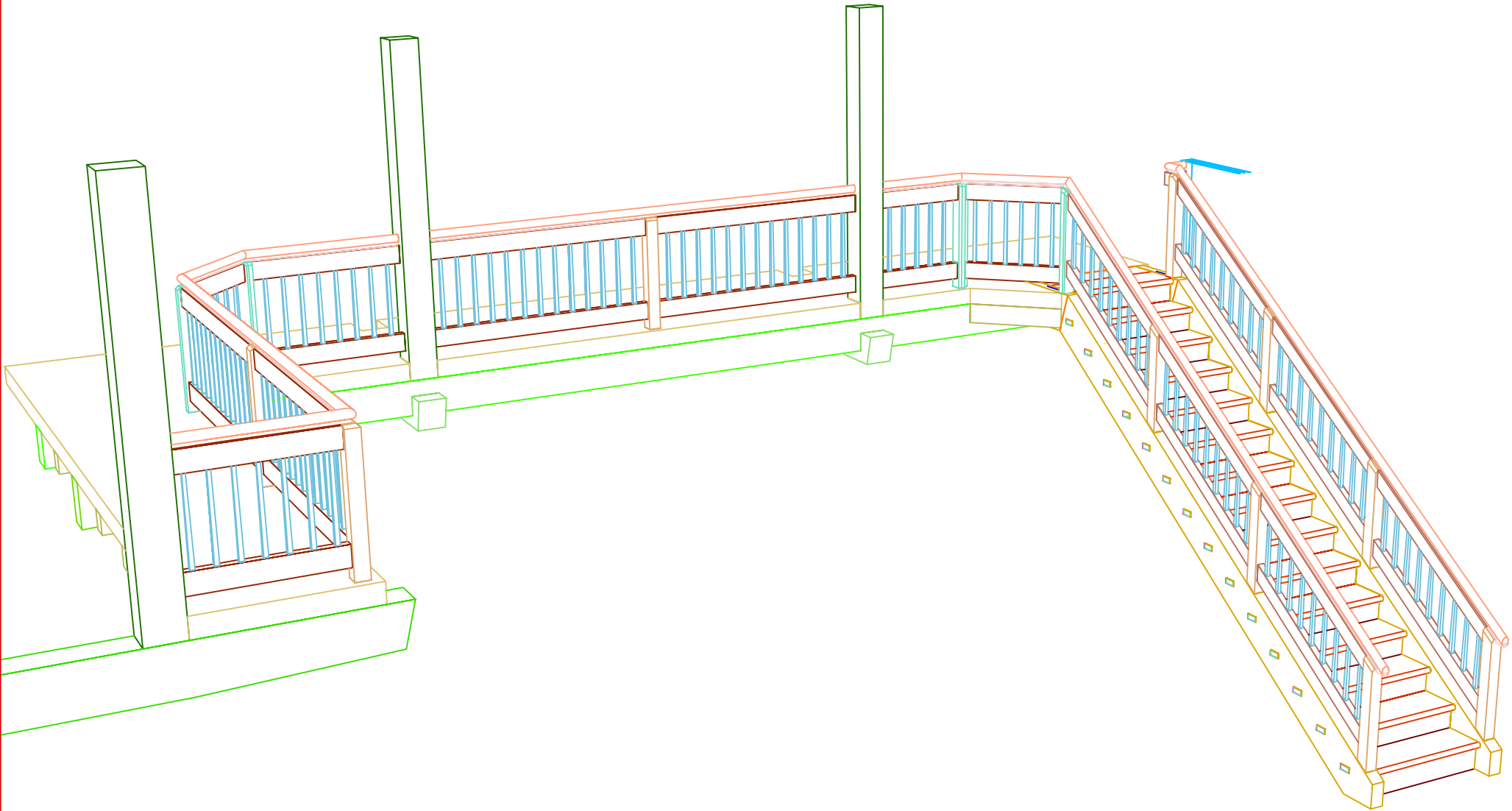


GREEN WOODLANDS
STAIR PERSPECTIVE
Not to Scale

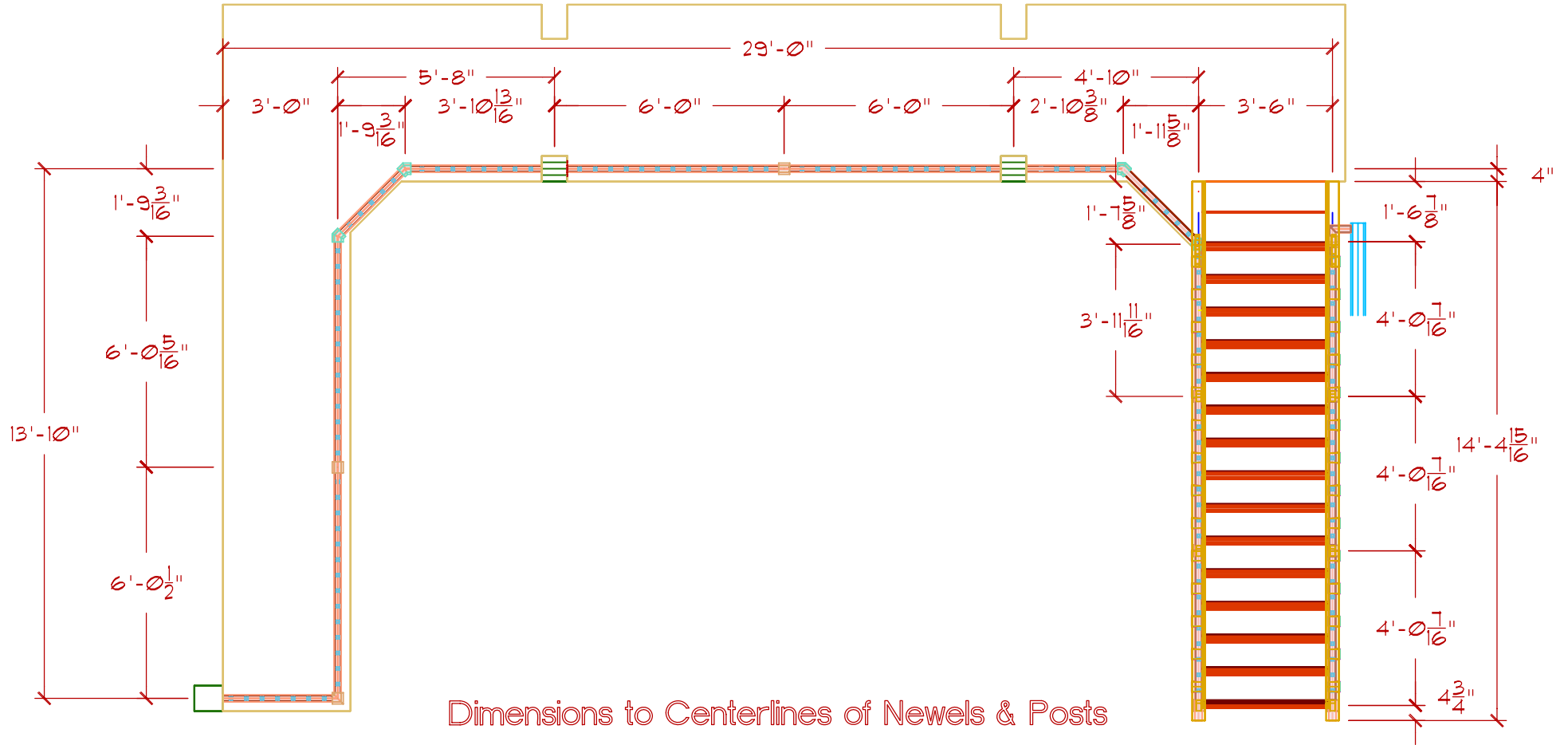
GREEN WOODLANDS
STAIR PERSPECTIVE
Not to Scale



GREEN WOODLANDS

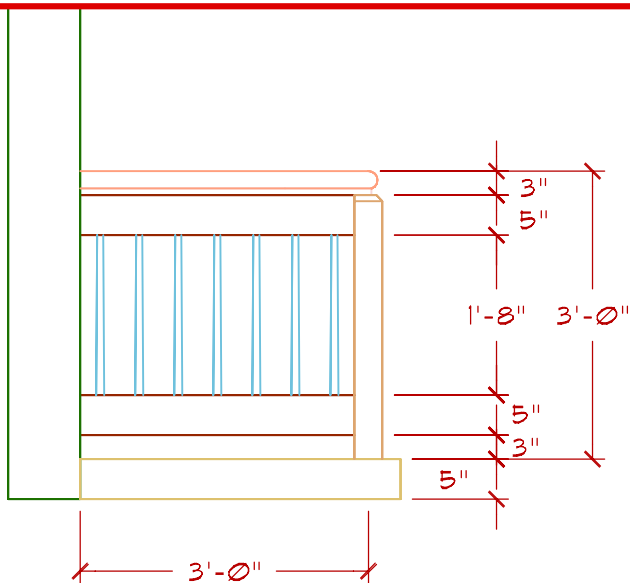
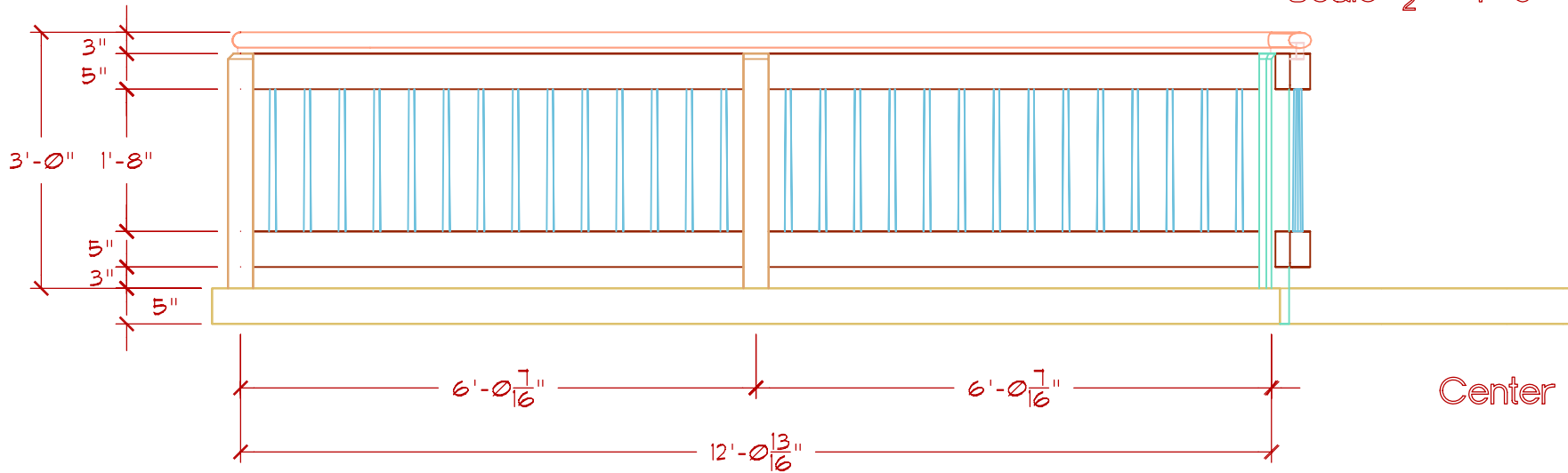
STAIR PLAN

Scale: $\frac{1}{4}'' = 1'-0''$

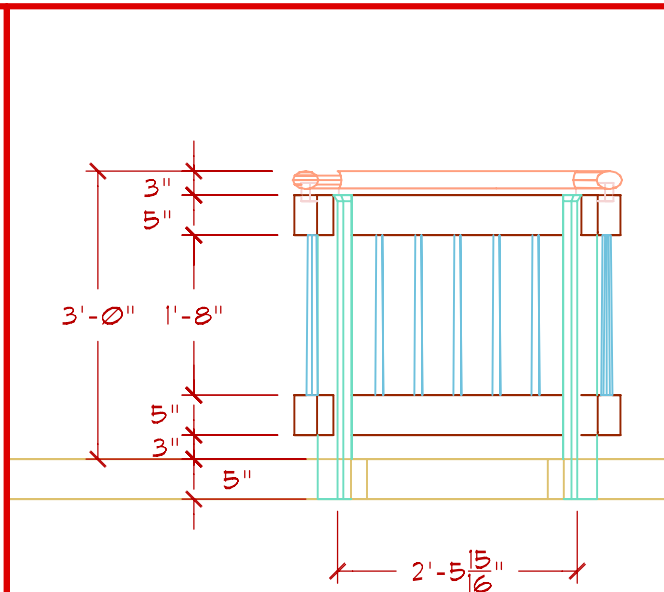


GREEN WOODLANDS STAIR SECTIONS at BALCONY RAIL

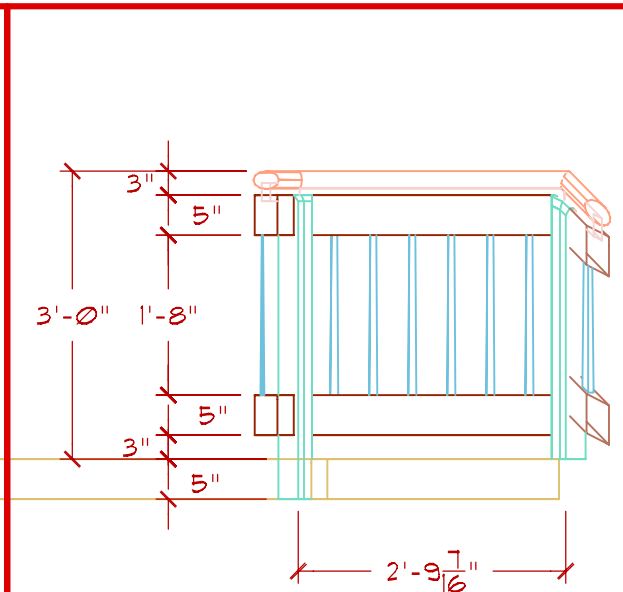
Scale: $\frac{1}{2}'' = 1'-0''$



Southwest



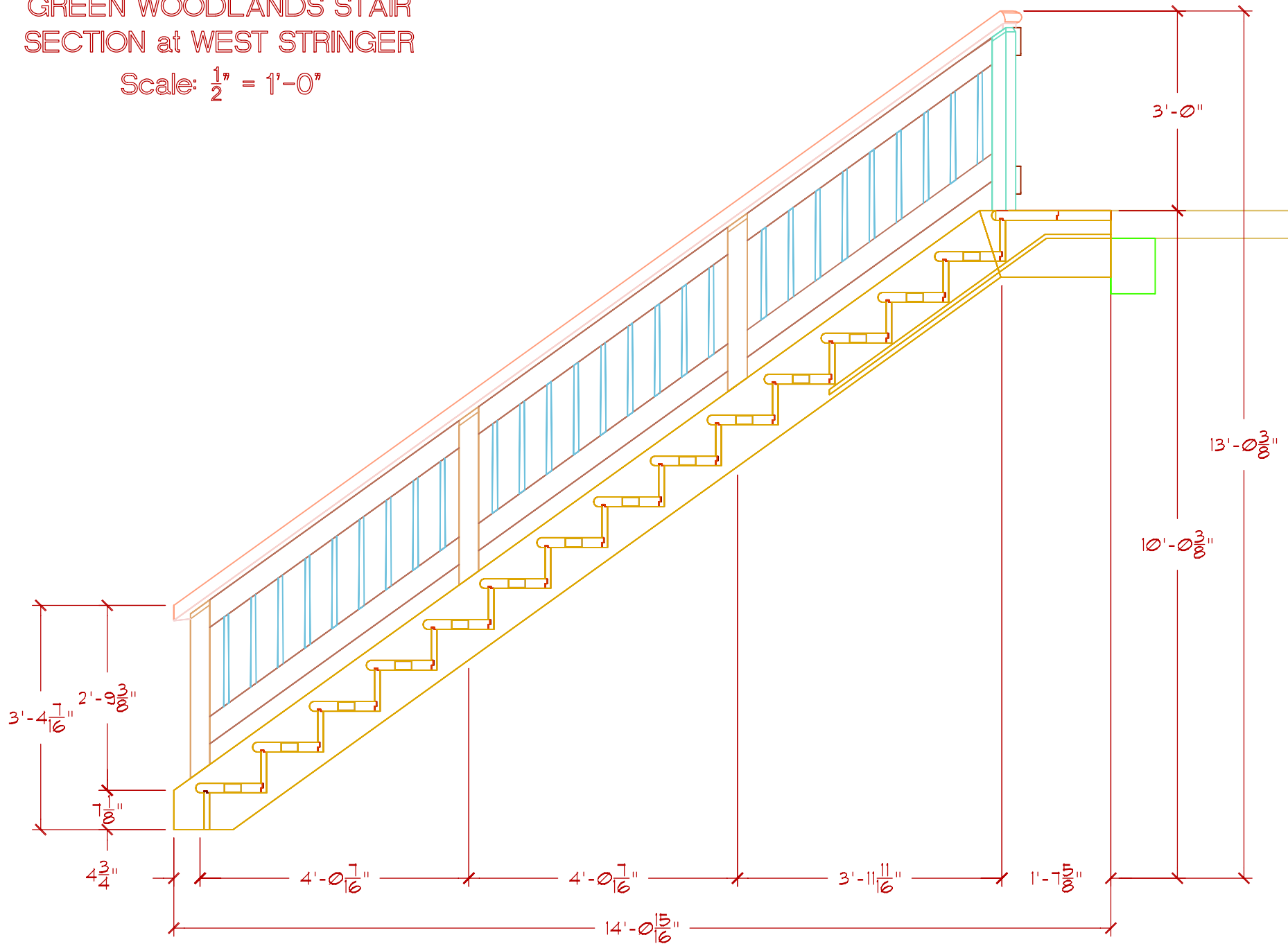
West Corner



East Corner

GREEN WOODLANDS STAIR SECTION at WEST STRINGER

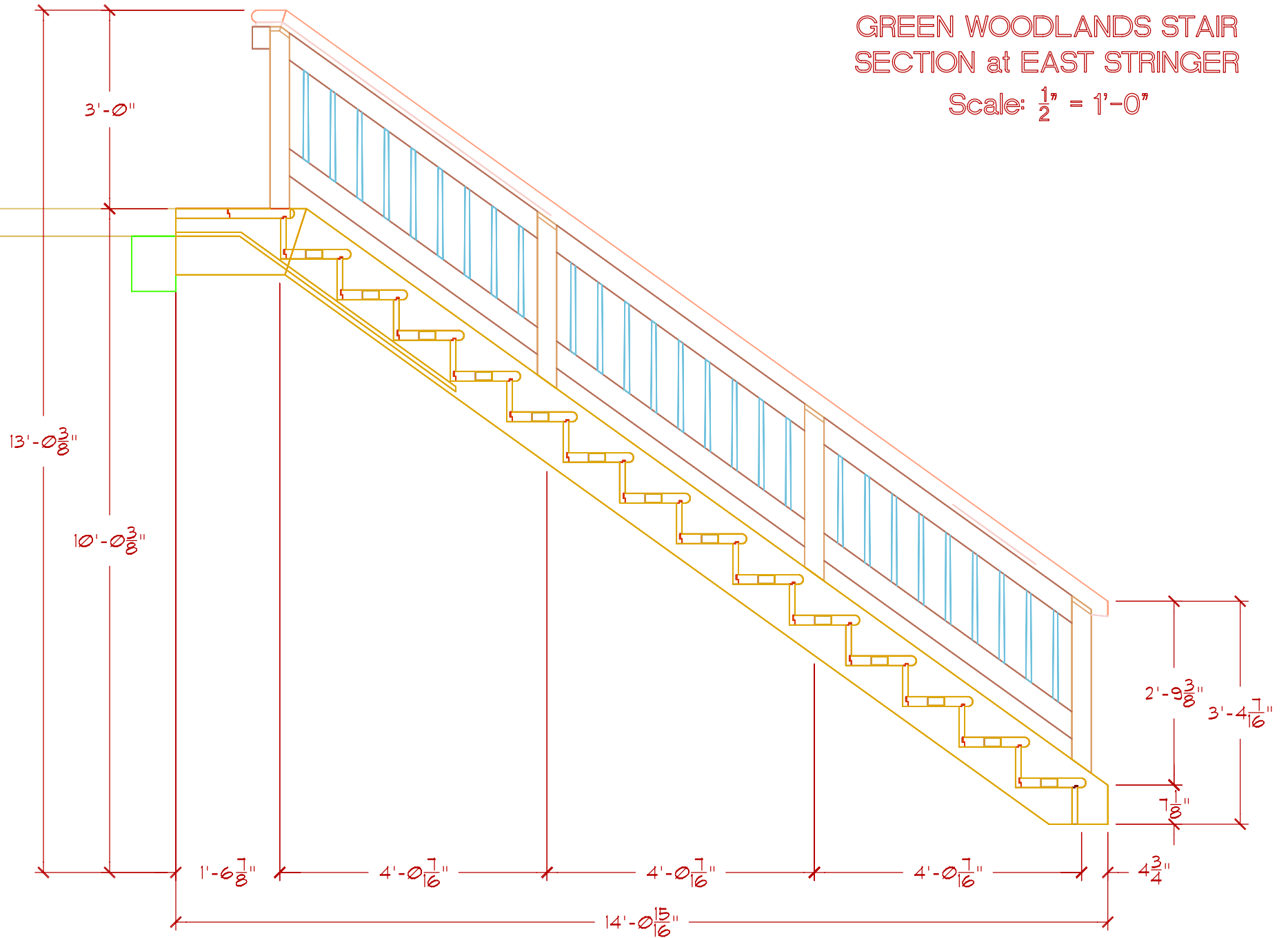
Scale: $\frac{1}{2}'' = 1'-0''$



Dimensions to Centerlines of Newels & Posts

GREEN WOODLANDS STAIR SECTION
SECTION at EAST STRINGER

Scale: $\frac{1}{2}'' = 1'-0''$



Dimensions to Centerlines of Newels & Posts